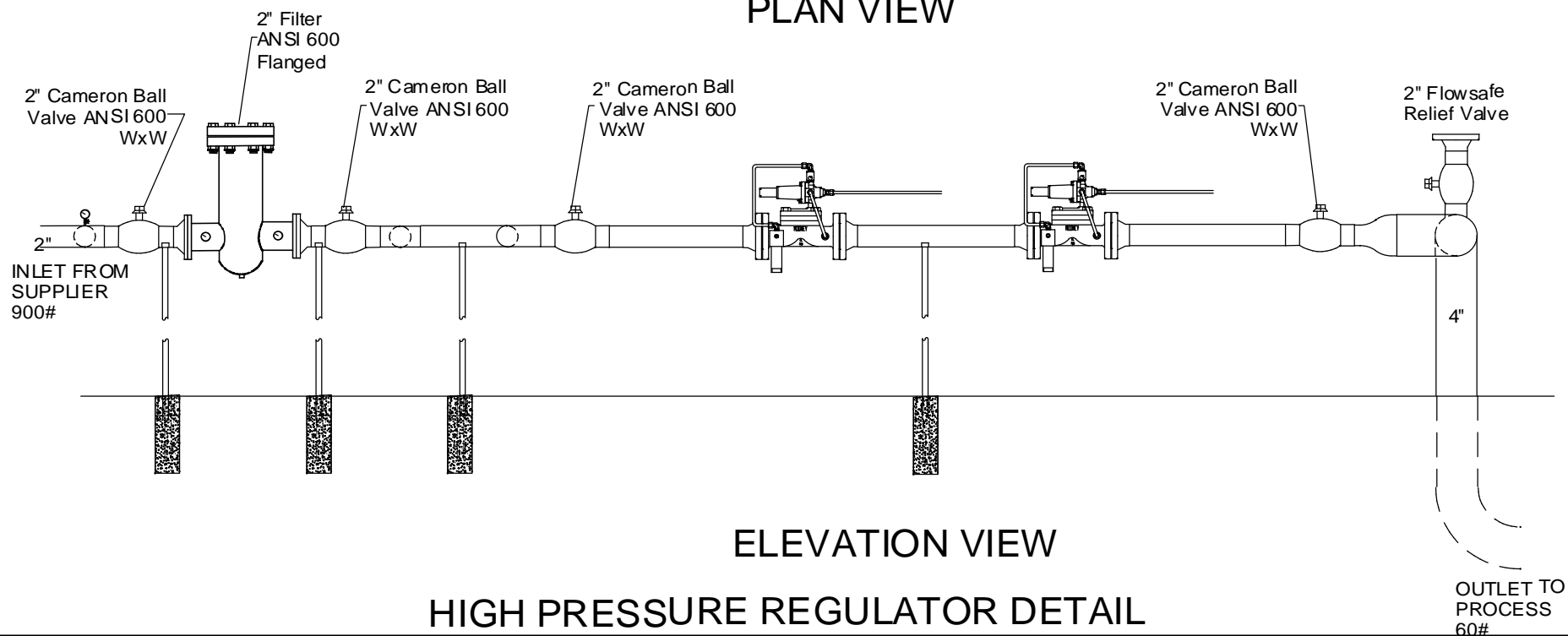


PLAN VIEW



ELEVATION VIEW

HIGH PRESSURE REGULATOR DETAIL

OUTLET TO
PROCESS
60#